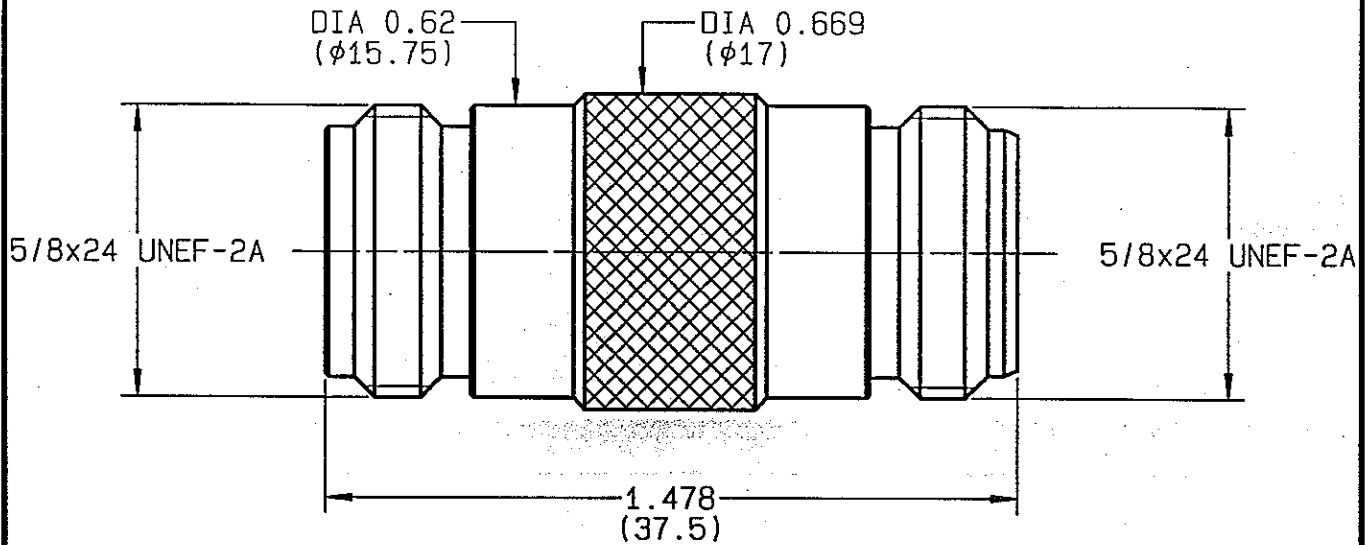


JACK-JACK ADAPTER

R162.705.000

SERIES

N 75



NOMINAL IMPEDANCE	75 Ω	CABLES :	
FREQUENCY RANGE	0-1.5 GHz		
TEMPERATURE RATING	-55/+155 °C		
V.S.W.R	1.06 + x F(GHz)Maxi		
RF INSERTION LOSS	0.15 √F(GHz) dB Maxi		
VOLTAGE RATING	1400 Veff Maxi		
DIELECTRIC WITHSTANDING VOLTAGE	2500 Veff Mini		
INSULATION RESISTANCE	5000 MΩMini	OTHERS CHARACTERISTICS	
HERMETIC SEAL	NA Atm.cm ³ /s	CABLE RETENTION	NA N Mini
LEAKAGE (pressurized only)	NA	CENTER CONTACT RETENTION	
MECHANICAL DURABILITY	500 Cycles	Axial force - mating end	27 N Mini
WEIGHT	42.32 gr	Axial force - opposite end	27 N Mini
SPECIFICATION		Torque	NA cm.N Mini
		RECOMMENDED TORQUES	
		Mating	NA cm.N
		Panel nut	NA cm.N
		Clamp nut	NA cm.N

CONNECTOR PARTS	MATERIALS	FINISH	(all values are given in micrometers)
BODY	BRASS	BBR 2	
OUTER CONTACT	BRASS	BBR 2	
CENTER CONTACT	BERYLLIUM COPPER	GOLD 0.5 OVER NICKEL 2	
INSULATOR	PTFE	-	
GASKET		-	
OTHERS PIECES			

BONMINI

ISSUE	CREATION DATE	FILE PART-NUMBER
9733H00	26-OCT-93	



The information given here is subject to change without notice. Design changes may be in order to improve the product.

Connect to the future